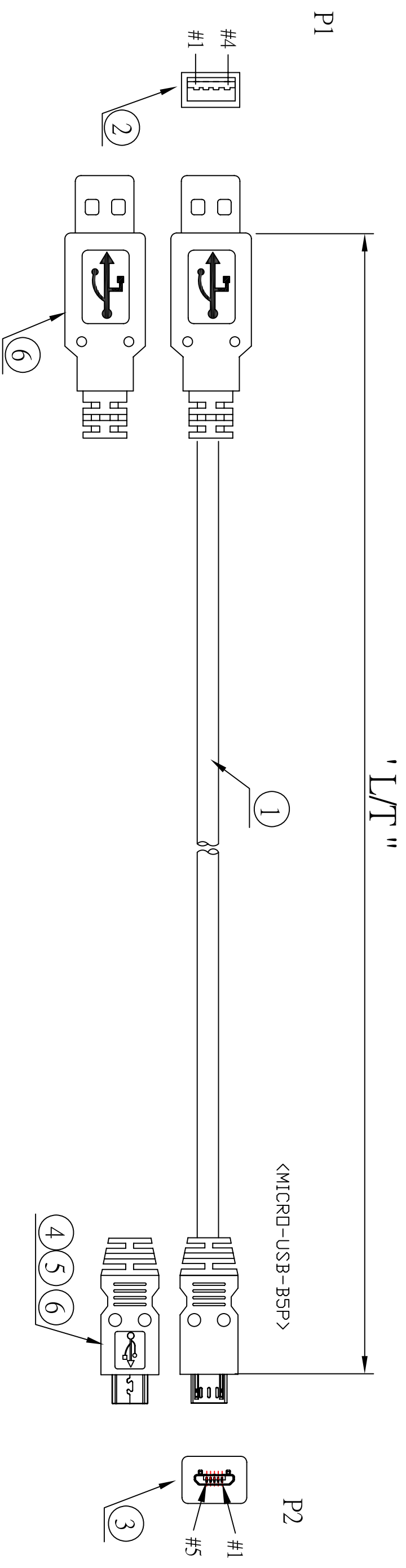


REV	DESC	DATE	ECN NO



PIN ASSIGNMENT

P1	1	RED	P2	1
	2	WHITE		2
	3	GREEN		3
	4	BLACK		5
	5	BRAID		5

*	TIE-	100.0	MM
*	PE BAG:5"*6"*0.06MM	1	PCCS
	PVC-50P	6.8	G
	TUBE-HT-Ø1.0MM (管型)	5*3	MM
	HI TEAMP TAPE:W:5MM	20*1	MM
	MICRO-USB-B-SPIN	1	SET
	USB-A公-白色膠芯	1	SET
1	UL2725 28#*1P+28#*2C+A+B-Ø3.6 (REV:2.0)	1.0	M
NO	DESCRIPTION	QTY	UNIT

公差 Tolerance :
 0-10 =±0.10
 10-40 =±0.25
 51-99 =±0.40

姓名 Title: **USB A/MICRO CABLE**

SIZE: A4 UNIT: MM SCALE: 1:1

NO: USB*0185

DATE: 14-10-15

鴻浩企業有限公司
 HUNG HOW ENTERPRISE CO., LTD.
 TEL: 2-2687-0029 FAX: 2-2687-0035

三角投影法

PAGE: 1 OF 1