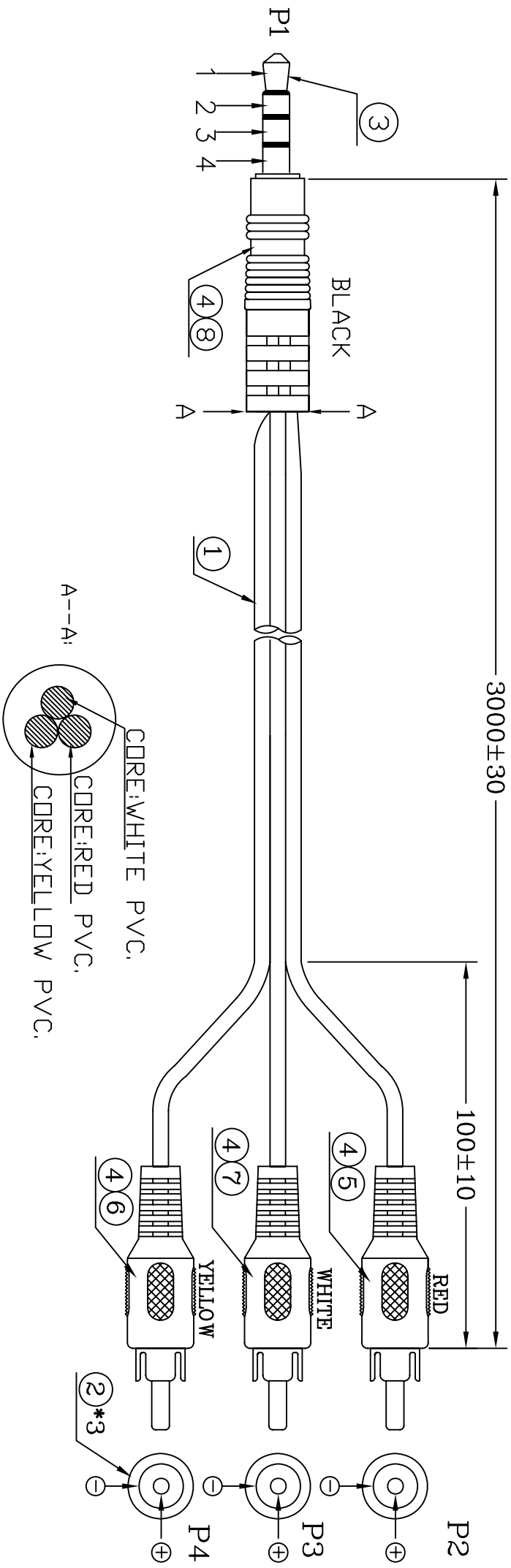
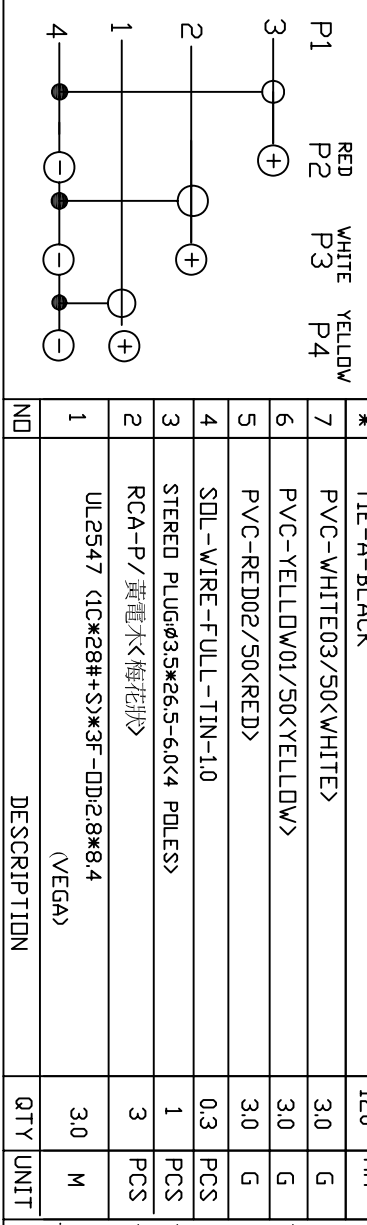


DESCRIPTION CONTROL			
REV	DESC	DATE	ECN NO



NO	DESCRIPTION	QTY	UNIT
1	UL2547 (10*28#+S)*3F-DD:2.8*8.4 (VEGA)	3.0	M
2	RCA-P/黄電木<梅花状>	3	PCS
3	STEREO PLUG:φ3.5*26.5-6.0<4 POLES>	1	PCS
4	SDL-WIRE-FULL-TIN-1.0	0.3	PCS
5	PVC-RED02/50<RED>	3.0	G
6	PVC-YELLOW01/50<YELLOW>	3.0	G
7	PVC-WHITE03/50<WHITE>	3.0	G
*	TIE-A-BLACK	120	MM
*	PE BAG:6*8*0.06MM	1	PCS
*	PE BAG:14*16*0.06MM	1/50	PCS
*	PE BAG:30*28*0.08MM	A/R	PCS
*	CARTON:46*30*25CM	A/R	PCS

PIN ASSIGNMENT	
P1	RED P2
	WHITE P3
	YELLOW P4



公差Tolerance: 0-10=±0.10, 10-40=±0.25, 51-99=±0.40

品名Title: STEREO 3.5<4> / RCA *3 CABLE

客户料号: 三角投影法

DATE: 07-01-11

1 OF 1

鴻浩企業有限公司
HUNG HOW ENTERPRISE CO., LTD.
TEL: 2-2687-0029 FAX: 2-2687-0035