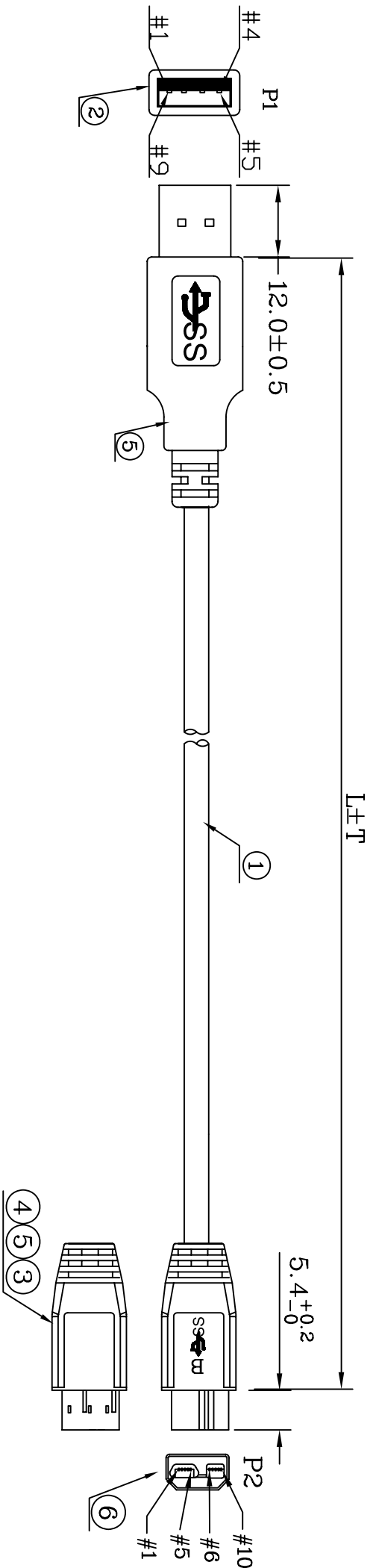


DESCRIPTION CONTROL			
REV	DESC	DATE	APP



* CARTON:46*30*25CM	A/R	PCS
* PE BAG:30*28*0.08MM	A/R	PCS
* PE BAG:6*8*0.06MM	1	PCS
* TIE-A/BK10	L	MM
6 MICRO USB B公-10PIN <PIN電鍍 30U"><REV3.0>	1	PCS
5 PVC-50P	22	G
4 TUBE-HT-φ1.0MM (薄型)	5*3	MM
3 HI TEAMP TAPE:W/6MM	20*1	MM
2 USB-A公-9PIN <PIN電鍍 30U">	1	SET
1 UL20276 (28#*1P+D+A+M)*2C+30#*1P+24#*2C+A+B,φ5.5 <USB 3.0版>	1.0	M
ND		

NO.	DESCRIPTION	QTY	UNIT
1	UL20276 (28#*1P+D+A+M)*2C+30#*1P+24#*2C+A+B,φ5.5 <USB 3.0版>	1.0	M

公差 Tolerance: 0-10-40.10 10-40.25 51-99-40.40		姓名 Title: USB .AM/MICRO-B公10P CABLE	
DRAW NBY: CXJ CHECK EDBY:		SIZE: A4 UNIT: MM SCALE: 1:1	
APPTD VEDBY:		三角投影法	
DWG NO.:		日期: 09-07-22	


鴻浩企業有限公司
 HUNG HOW ENTERPRISE CO., LTD.
 TEL: 2-2687-0029 FAX: 2-2687-0035

